



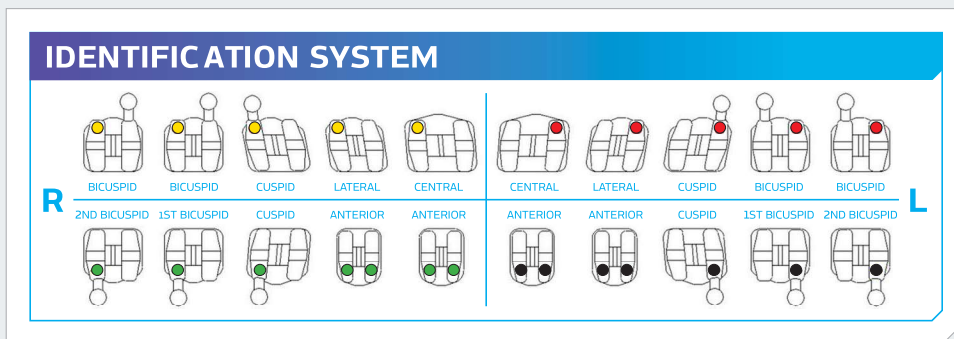
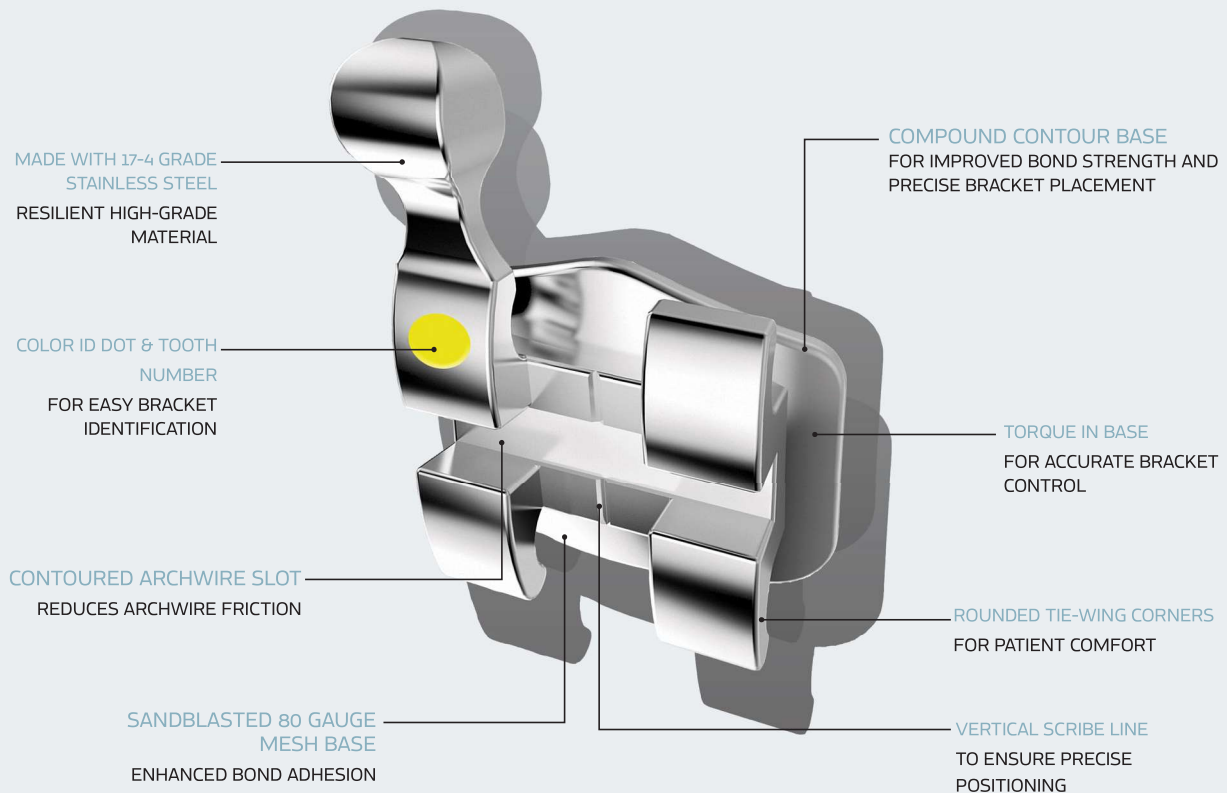
METAL BRACKETS

CHOOSING THE RIGHT METAL BRACKET IS KEY TO EVERY SUCCESSFUL ORTHODONTIC PRACTICE. PRECISELY ENGINEERED AND MANUFACTURED WITH A FOCUS ON PERFORMANCE AND PATIENT COMFORT, WHITE OAK OFFERS HIGH QUALITY, COMPETITIVELY PRICED METAL BRACKETS IN A VARIETY OF PRESCRIPTIONS AND STYLES. WHETHER YOU'RE CONSIDERING OUR MACH I, MACH II, MACH III, QUANTUM, OR LUX V-SLOT, WHITE OAK HAS THE METAL BRACKETS YOU NEED TO KEEP YOUR PATIENTS HAPPY AND YOUR PRACTICE THRIVING.

MACH I

LOW PROFILE BRACKET SYSTEM

BY WHITE OAK ORTHODONTIC PRODUCTS, LLC



ROTH

MAXILLARY										
							80 GAUGE MESH		OFF-SET PAD	
TOOTH	TORQUE	ANGLE	ROTATION	M/D	I/O	R/L	.018	.022	.018	.022
CENTRAL	+12°	+5°	0°	3.2MM	0.66MM	R L	BK-4165 BK-4135	BK-4166 BK-4136		
LATERAL	+8°	+9°	0°	2.7MM	0.88MM	R L	BK-4171 BK-4141	BK-4172 BK-4142		
CUSPID	-2°	+13°	0°	3.0MM	0.53MM	R L	BK-4177 BK-4147	BK-4178 BK-4148		
CUSPID HK	-2°	+13°	0°	3.0MM	0.53MM	R L	BK-4058 BK-4040	BK-4059 BK-4041		
1ST + 2ND BICUSPID	-7°	0°	0°	2.8MM	0.74MM	R L	BK-4183 BK-4153	BK-4184 BK-4154	BK-4210 BK-4208	BK-4200 BK-4200
1ST + 2ND BICUSPID HK	-7°	0°	0°	2.8MM	0.74MM	R L	BK-4064 BK-4046	BK-4065 BK-4047	BK-4234 BK-4228	BK-4194 BK-4192

MANDIBULAR										
							80 GAUGE MESH		OFF-SET PAD	
TOOTH	TORQUE	ANGLE	ROTATION	M/D	I/O	R/L	.018	.022	.018	.022
ANTERIOR	-1°	0°	0°	2.4MM	1.14MM	U	BK-4076	BK-4077		
CUSPID	-11°	+7°	0°	3.0MM	0.5MM	R L	BK-4117 BK-4088	BK-4118 BK-4089		
CUSPID HK	-11°	+7°	0°	3.0MM	0.5MM	R L	BK-4022 BK-4004	BK-4023 BK-4005		
1ST BICUSPID	-17°	0°	0°	2.9MM	0.76MM	R L	BK-4123 BK-4094	BK-4124 BK-4095	BK-4244 BK-4245	BK-4248 BK-4249
1ST BICUSPID HK	-17°	0°	0°	2.9MM	0.76MM	R L	BK-4028 BK-4010	BK-4029 BK-4011	BK-4223 BK-4218	BK-4224 BK-4219
2ND BICUSPID	-22°	0°	0°	2.9MM	0.76MM	R L	BK-4129 BK-4100	BK-4130 BK-4101	BK-4246 BK-4247	BK-4250 BK-4251
2ND BICUSPID HK	-22°	0°	0°	2.9MM	0.76MM	R L	BK-4034 BK-1416	BK-4035 BK-1417	BK-4226 BK-4221	BK-4227 BK-4222

FULL SETS		.018	.022
UPPER / LOWER 5X5 NO HOOKS	BK-1793K	BK-1794K	
UPPER / LOWER 5X5 HOOK ON 3	BK-1781K	BK-1782K	
UPPER / LOWER 5X5 HOOKS ON 3, 4, 5	BK-1787K	BK-1788K	
UPPER / LOWER 5X5 CUSTOM HOOKS	BK-1841K	BK-1842K	

ALSO AVAILABLE IN PRE-PACKAGED SINGLE CASE KITS FOR YOUR CONVENIENCE

* WHITE OAK PRESCRIPTIONS ARE NOT IMPLIED TO BE AN EXACT VERSION OF ANY OTHER SYSTEM, NOR DO WE CLAIM ANY ENDORSEMENT BY THE DOCTOR.



MAXILLARY							80 GAUGE MESH		OFF-SET PAD	
TOOTH	TORQUE	ANGLE	ROTATION	M/D	I/O	R/L	.018	.022	.018	.022
CENTRAL	+17°	+4°	0°	3.4MM	0.66MM	R L	BK-4163 BK-4133	BK-4164 BK-4134		
LATERAL	+10°	+8°	0°	2.7MM	0.88MM	R L	BK-4169 BK-4139	BK-4170 BK-4140		
CUSPID	-7°	+8°	0°	3.0MM	0.53MM	R L	BK-4175 BK-4145	BK-4176 BK-4146		
CUSPID HK	-7°	+8°	0°	3.0MM	0.53MM	R L	BK-4056 BK-4038	BK-4057 BK-4039		
1ST BICUSPID	-7°	0°	0°	2.9MM	0.74MM	R L	BK-4181 BK-4151	BK-4182 BK-4152	BK-4210 BK-4208	BK-4200 BK-4200
1ST BICUSPID HK	-7°	0°	0°	2.9MM	0.74MM	R L	BK-4062 BK-4044	BK-4063 BK-4045	BK-4234 BK-4228	BK-4194 BK-4192
2ND BICUSPID	-7°	0°	0°	2.9MM	0.74MM	R L	BK-4187 BK-4157	BK-4188 BK-4158	BK-4211 BK-4209	BK-4200 BK-4200
2ND BICUSPID HK	-7°	0°	0°	2.9MM	0.74MM	R L	BK-4068 BK-4050	BK-4069 BK-4051	BK-4237 BK-4231	BK-4195 BK-4193

MANDIBULAR							80 GAUGE MESH		OFF-SET PAD	
TOOTH	TORQUE	ANGLE	ROTATION	M/D	I/O	R/L	.018	.022	.018	.022
ANTERIOR	-6°	0°	0°	2.4MM	1.14MM	R L	BK-4104 BK-4074	BK-4105 BK-4075		
CUSPID	-6°	+3°	0°	3.0MM	0.5MM	R L	BK-4115 BK-4086	BK-4116 BK-4087		
CUSPID HK	-6°	+3°	0°	3.0MM	0.5MM	R L	BK-4020 BK-4002	BK-4021 BK-4003		
1ST BICUSPID	-12°	2°	0°	2.9MM	0.76MM	R L	BK-4121 BK-4092	BK-4122 BK-4093	BK-4242 BK-4243	BK-4206 BK-4204
1ST BICUSPID HK	-12°	2°	0°	2.9MM	0.76MM	R L	BK-4026 BK-4008	BK-4027 BK-4009	BK-4214 BK-4212	BK-4198 BK-4196
2ND BICUSPID	-17°	2°	0°	2.9MM	0.76MM	R L	BK-4127 BK-4098	BK-4128 BK-4099	BK-4215 BK-4213	BK-4207 BK-4205
2ND BICUSPID HK	-17°	2°	0°	2.9MM	0.76MM	R L	BK-4032 BK-1414	BK-4033 BK-1415	BK-4225 BK-4220	BK-4199 BK-4197

FULL SETS	.018	.022	
UPPER / LOWER 5X5 NO HOOKS	BK-1791K	BK-1792K	
UPPER / LOWER 5X5 HOOK ON 3	BK-1779K	BK-1780K	
UPPER / LOWER 5X5 HOOKS ON 3, 4, 5	BK-1785K	BK-1786K	
UPPER / LOWER 5X5 CUSTOM HOOKS	BK-1839K	BK-1840K	

ALSO AVAILABLE IN PRE-PACKAGED SINGLE CASE KITS FOR YOUR CONVENIENCE

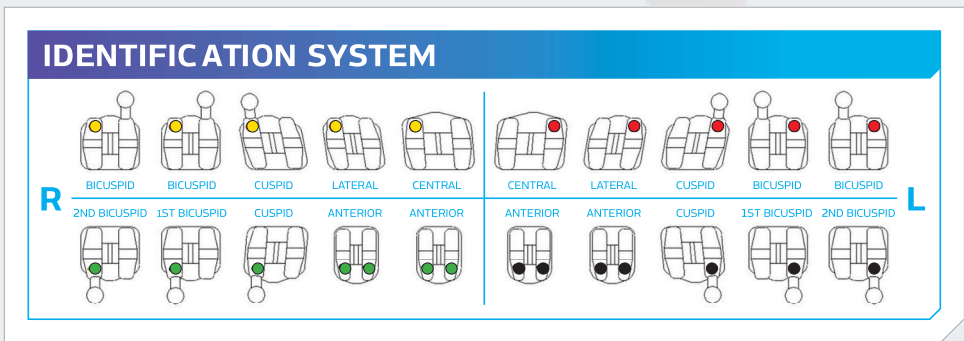
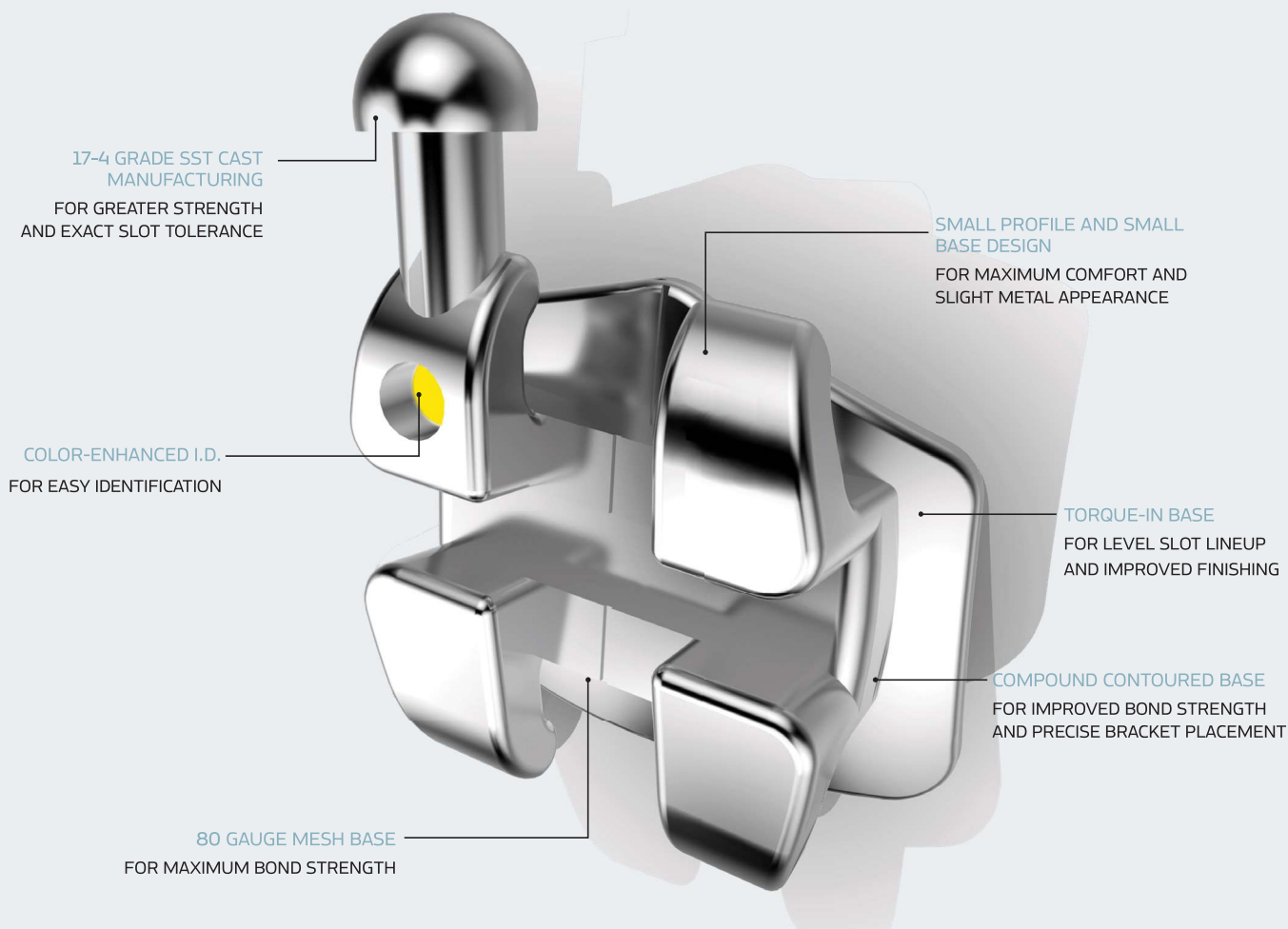
* WHITE OAK PRESCRIPTIONS ARE NOT IMPLIED TO BE AN EXACT VERSION OF ANY OTHER SYSTEM, NOR DO WE CLAIM ANY ENDORSEMENT BY THE DOCTOR.



MACH II

LOW PROFILE BRACKET SYSTEM

BY WHITE OAK ORTHODONTIC PRODUCTS, LLC



ROTH



MAXILLARY

							80 GAUGE MESH	
TOOTH	TORQUE	ANGLE	ROTATION	M/D	I/O	R/L	.018	.022
CENTRAL	+12°	+5°	0°	3.2MM	0.9MM	R L	BK-1269 BK-1239	BK-1270 BK-1240
LATERAL	+8°	+9°	0°	2.7MM	1.4MM	R L	BK-1275 BK-1245	BK-1276 BK-1246
CUSPID	-2°	+13°	0°	3.0MM	0.9MM	R L	BK-1281 BK-1251	BK-1282 BK-1252
CUSPID HK	-2°	+13°	0°	3.0MM	0.9MM	R L	BK-1161 BK-1143	BK-1162 BK-1144
1ST + 2ND BICUSPID	-7°	0°	2°	2.8MM	0.5MM	R L	BK-1287 BK-1257	BK-1288 BK-1258
1ST + 2ND BICUSPID HK	-7°	0°	2°	2.8MM	0.5MM	R L	BK-1167 BK-1149	BK-1168 BK-1150

MANDIBULAR

							80 GAUGE MESH	
TOOTH	TORQUE	ANGLE	ROTATION	M/D	I/O	R/L	.018	.022
ANTERIOR	-1°	0°	0°	2.4MM	0.9MM	U	BK-1179	BK-1180
CUSPID	-11°	+7°	0°	3.0MM	0.5MM	R L	BK-1221 BK-1191	BK-1222 BK-1192
CUSPID HK	-11°	+7°	0°	3.0MM	0.5MM	R L	BK-1125 BK-1107	BK-1126 BK-1108
1ST BICUSPID	-17°	0°	4°	2.8MM	0.5MM	R L	BK-1227 BK-1197	BK-1228 BK-1198
1ST BICUSPID HK	-17°	0°	4°	2.8MM	0.5MM	R L	BK-1131 BK-1113	BK-1132 BK-1114
2ND BICUSPID	-22°	0°	4°	2.8MM	0.5MM	R L	BK-1233 BK-1203	BK-1234 BK-1204
2ND BICUSPID HK	-22°	0°	4°	2.8MM	0.5MM	R L	BK-1137 BK-1119	BK-1138 BK-1120

FULL SETS	.018	.022
UPPER / LOWER 5X5 NO HOOKS	BK-1775K	BK-1776K
UPPER / LOWER 5X5 HOOK ON 3	BK-1763K	BK-1764K
UPPER / LOWER 5X5 HOOKS ON 3, 4, 5	BK-1769K	BK-1770K
UPPER / LOWER 5X5 CUSTOM HOOKS	BK-1835K	BK-1836K

ALSO AVAILABLE IN PRE-PACKAGED SINGLE CASE KITS FOR YOUR CONVENIENCE

* WHITE OAK PRESCRIPTIONS ARE NOT IMPLIED TO BE AN EXACT VERSION OF ANY OTHER SYSTEM, NOR DO WE CLAIM ANY ENDORSEMENT BY THE DOCTOR.

MAXILLARY								
							80 GAUGE MESH	
TOOTH	TORQUE	ANGLE	ROTATION	M/D	I/O	R/L	.018	.022
CENTRAL	+17°	+4°	0°	3.4MM	0.8MM	R L	BK-1267 BK-1237	BK-1268 BK-1238
LATERAL	+10°	+8°	0°	2.8MM	1.1MM	R L	BK-1273 BK-1243	BK-1274 BK-1244
CUSPID	-7°	+8°	0°	3.0MM	0.5MM	R L	BK-1279 BK-1249	BK-1280 BK-1250
CUSPID HK	-7°	+8°	0°	3.0MM	0.5MM	R L	BK-1159 BK-1141	BK-1160 BK-1142
1ST BICUSPID	-7°	0°	0°	2.9MM	0.6MM	R L	BK-1285 BK-1255	BK-1286 BK-1256
1ST BICUSPID HK	-7°	0°	0°	2.9MM	0.6MM	R L	BK-1165 BK-1147	BK-1166 BK-1148
2ND BICUSPID	-7°	0°	0°	2.9MM	0.9MM	R L	BK-1291 BK-1261	BK-1292 BK-1262
2ND BICUSPID HK	-7°	0°	0°	2.9MM	0.9MM	R L	BK-1171 BK-1153	BK-1172 BK-1154

MANDIBULAR								
							80 GAUGE MESH	
TOOTH	TORQUE	ANGLE	ROTATION	M/D	I/O	R/L	.018	.022
ANTERIOR	-6°	0°	0°	2.4MM	1.1MM	R L	BK-1177 BK-1177	BK-1178 BK-1178
CUSPID	-6°	+3°	0°	3.0MM	0.5MM	R L	BK-1219 BK-1189	BK-1220 BK-1190
CUSPID HK	-6°	+3°	0°	3.0MM	0.5MM	R L	BK-1123 BK-1105	BK-1124 BK-1106
1ST BICUSPID	-12°	2°	0°	2.9MM	0.5MM	R L	BK-1225 BK-1195	BK-1226 BK-1196
1ST BICUSPID HK	-12°	2°	0°	2.9MM	0.5MM	R L	BK-1129 BK-1111	BK-1130 BK-1112
2ND BICUSPID	-17°	2°	0°	2.9MM	0.5MM	R L	BK-1231 BK-1201	BK-1232 BK-1202
2ND BICUSPID HK	-17°	2°	0°	2.9MM	0.5MM	R L	BK-1135 BK-1117	BK-1136 BK-1118

FULL SETS	.018	.022
UPPER / LOWER 5X5 NO HOOKS	BK-1773K	BK-1774K
UPPER / LOWER 5X5 HOOK ON 3	BK-1761K	BK-1762K
UPPER / LOWER 5X5 HOOKS ON 3, 4, 5	BK-1767K	BK-1768K
UPPER / LOWER 5X5 CUSTOM HOOKS	BK-1833	BK-1834K

ALSO AVAILABLE IN PRE-PACKAGED SINGLE CASE KITS FOR YOUR CONVENIENCE

* WHITE OAK PRESCRIPTIONS ARE NOT IMPLIED TO BE AN EXACT VERSION OF ANY OTHER SYSTEM, NOR DO WE CLAIM ANY ENDORSEMENT BY THE DOCTOR.

EDGEWISE



MAXILLARY							80 GAUGE MESH	
TOOTH	TORQUE	ANGLE	ROTATION	M/D	I/O	R/L	.018	.022
CENTRAL	0°	0°	0°	3.1MM	0.7MM	R L	BK-1235	BK-1236
LATERAL	0°	0°	0°	2.7MM	0.7MM	R L	BK-1241	BK-1242
CUSPID	0°	0°	0°	3.0MM	0.6MM	R L	BK-1277 BK-1247	BK-1278 BK-1248
CUSPID HK	0°	0°	0°	3.0MM	0.6MM	R L	BK-1157 BK-1139	BK-1158 BK-1140
1ST + 2ND BICUSPID	0°	0°	0°	2.9MM	0.6MM	R L	BK-1283 BK-1253	BK-1284 BK-1254
1ST + 2ND BICUSPID HK	0°	0°	0°	2.9MM	0.6MM	R L	BK-1163 BK-1145	BK-1164 BK-1146

MANDIBULAR							80 GAUGE MESH	
TOOTH	TORQUE	ANGLE	ROTATION	M/D	I/O	R/L	.018	.022
ANTERIOR	0°	0°	0°	2.4MM	0.7MM	U	BK-1175	BK-1176
CUSPID	0°	0°	0°	3.0MM	0.6MM	R L	BK-1217 BK-1187	BK-1218 BK-1188
CUSPID HK	0°	0°	0°	3.0MM	0.6MM	R L	BK-1121 BK-1103	BK-1122 BK-1104
1ST + 2ND BICUSPID	0°	0°	0°	2.9MM	0.6MM	R L	BK-1223 BK-1193	BK-1224 BK-1194
1ST + 2ND BICUSPID HK	0°	0°	0°	2.9MM	0.6MM	R L	BK-1127 BK-1109	BK-1128 BK-1110

FULL SETS	.018	.022
UPPER / LOWER 5X5 NO HOOKS	BK-1771K	BK-1772K
UPPER / LOWER 5X5 HOOK ON 3	BK-1759K	BK-1760K
UPPER / LOWER 5X5 HOOKS ON 3, 4, 5	BK-1765K	BK-1766K
UPPER / LOWER 5X5 CUSTOM HOOKS	BK-1831K	BK-1832K

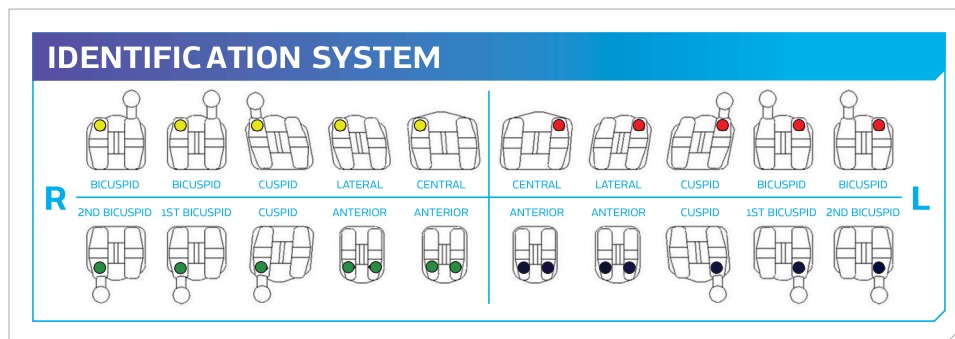
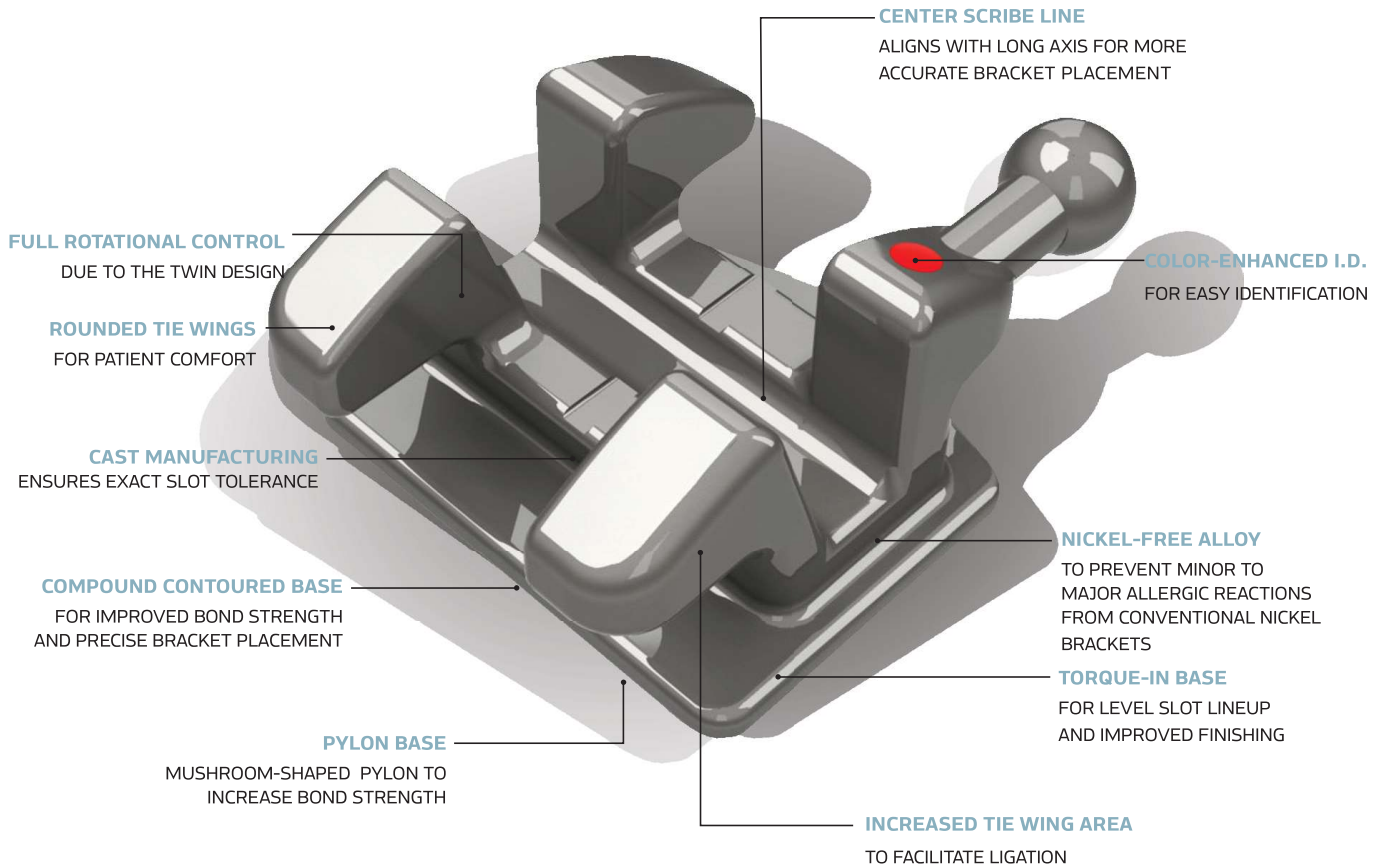
ALSO AVAILABLE IN PRE-PACKAGED SINGLE CASE KITS FOR YOUR CONVENIENCE

* WHITE OAK PRESCRIPTIONS ARE NOT IMPLIED TO BE AN EXACT VERSION OF ANY OTHER SYSTEM, NOR DO WE CLAIM ANY ENDORSEMENT BY THE DOCTOR.

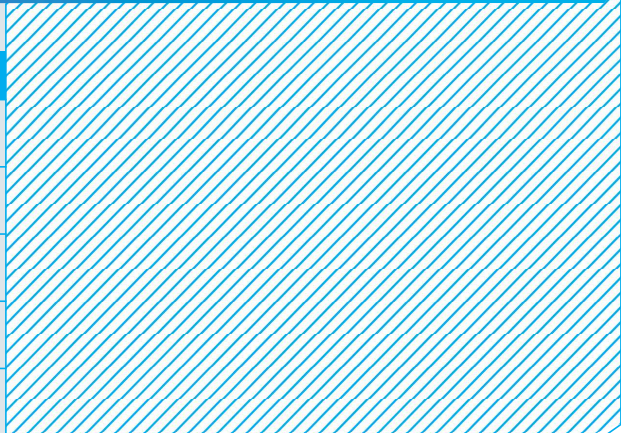
MACH III

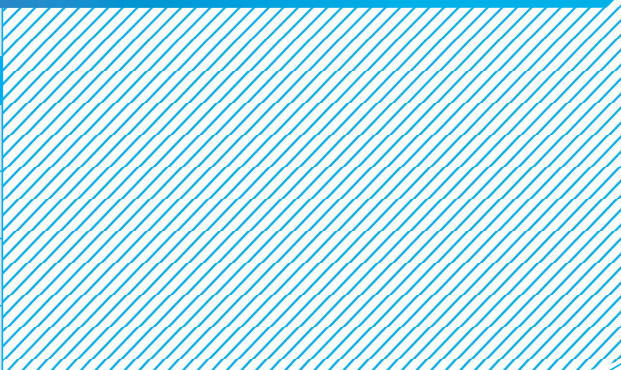
NICKEL-FREE BRACKET SYSTEM


BY WHITE OAK ORTHODONTIC PRODUCTS, LLC



MBT

MAXILLARY						
NICKEL-FREE					PYLON BASE	
TOOTH	TORQUE	ANGLE	ROTATION	R/L	.022	
CENTRAL	+17°	+4°	0°	R L	BK-3026 BK-3018	
LATERAL	+10°	+8°	0°	R L	BK-3030 BK-3022	
CUSPID HK	-7°	+8°	0°	R L	BK-3070 BK-3058	
1ST BICUSPID HK	-7°	0°	0°	R L	BK-3074 BK-3062	
2ND BICUSPID HK	-7°	0°	0°	R L	BK-3078 BK-3066	

MANDIBULAR						
NICKEL-FREE					PYLON BASE	
TOOTH	TORQUE	ANGLE	ROTATION	R/L	.022	
ANTERIOR	-6°	0°	0°	R L	BK-3002 BK-3002	
CUSPID HK	-6°	+3°	0°	R L	BK-3046 BK-3034	
1ST BICUSPID HK	-12°	2°	0°	R L	BK-3050 BK-3038	
2ND BICUSPID HK	-17°	2°	0°	R L	BK-3054 BK-3042	

BUCCAL TUBES NICKEL FREE		.022	
LOWER LEFT 1 ST MOLAR	BO-1301		
LOWER RIGHT 1 ST MOLAR	BO-1302		
UPPER LEFT 1 ST MOLAR	BO-1303		
UPPER RIGHT 1 ST MOLAR	BO-1304		

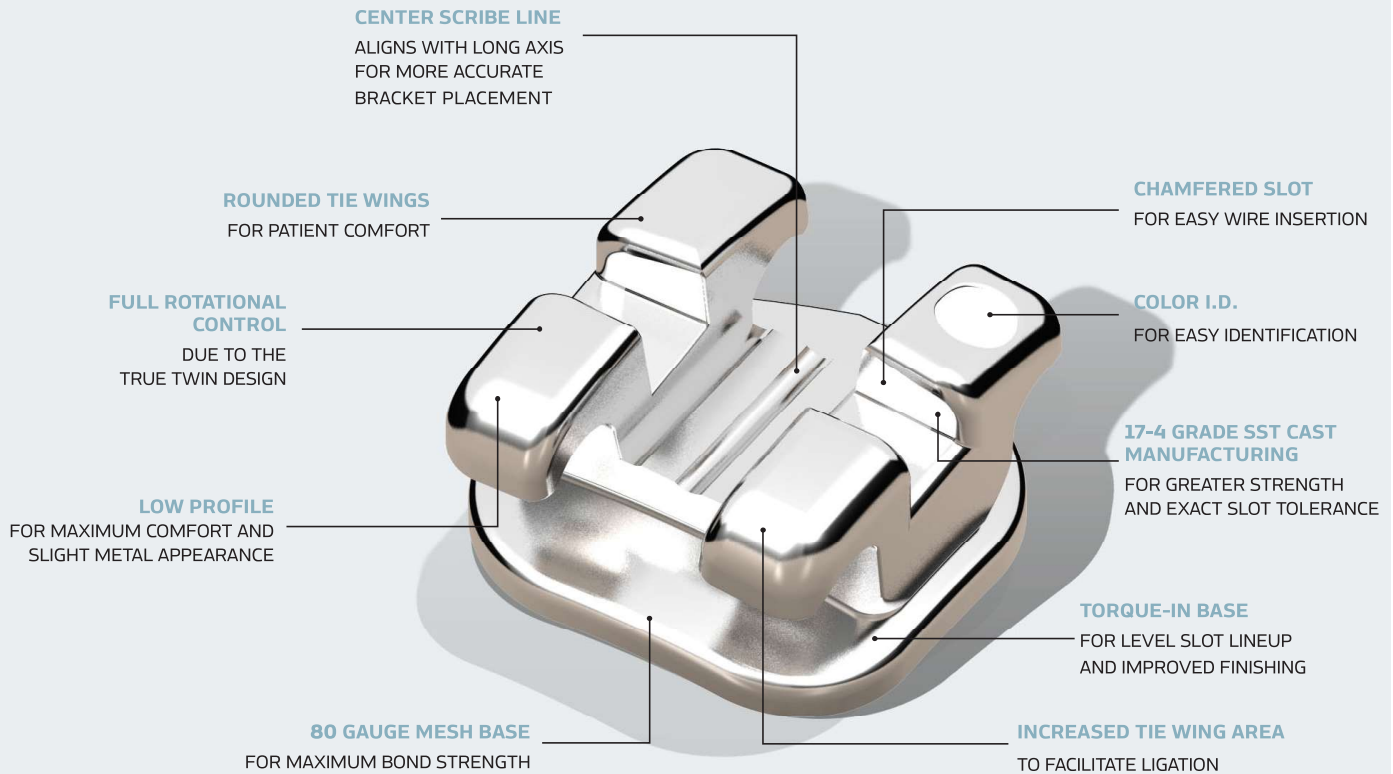
ALSO AVAILABLE IN PRE-PACKAGED SINGLE CASE KITS FOR YOUR CONVENIENCE

* WHITE OAK PRESCRIPTIONS ARE NOT IMPLIED TO BE AN EXACT VERSION OF ANY OTHER SYSTEM, NOR DO WE CLAIM ANY ENDORSEMENT BY THE DOCTOR.

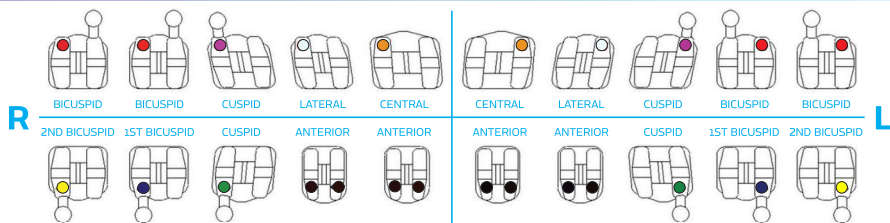
QUANTUM

MINIATURE TWIN BRACKET SYSTEM

BY WHITE OAK ORTHODONTIC PRODUCTS, LLC



IDENTIFICATION SYSTEM



ROTH

MAXILLARY							STANDARD PAD		OFF-SET PAD	
TOOTH	TORQUE	ANGLE	ROTATION	M/D	I/O	R/L	.018	.022	.018	.022
CENTRAL	+12°	+5°	0°	3.5MM	0.9MM	R L	BK-3131 BK-3111	BK-3132 BK-3112		
CENTRAL HI-TORQUE	+22°	+5°	0°	3.5MM	0.9MM	R L	BK-3284 BK-3280	BK-3285 BK-3281		
LATERAL	+8°	+9°	0°	2.9MM	1.4MM	R L	BK-3135 BK-3115	BK-3136 BK-3116		
LATERAL HI-TORQUE	+14°	+9°	0°	2.9MM	1.4MM	R L	BK-3286 BK-3282	BK-3287 BK-3283		
CUSPID	0°	+11°	0°	3.1MM	0.9MM	R L	BK-3139 BK-3119	BK-3140 BK-3120		
CUSPID HK	0°	+11°	0°	3.1MM	0.9MM	R L	BK-3185 BK-3173	BK-3186 BK-3174		
1ST BICUSPID	-7°	0°	0°	3.1MM	0.5MM	R L	BK-3143 BK-3123	BK-3144 BK-3124	BK-3258 BK-3250	BK-3259 BK-3251
1ST BICUSPID HK	-7°	0°	0°	3.1MM	0.5MM	R L	BK-3189 BK-3177	BK-3190 BK-3178	BK-3226 BK-3218	BK-3227 BK-3219
2ND BICUSPID	-7°	0°	0°	3.1MM	0.5MM	R L	BK-3147 BK-3127	BK-3148 BK-3128	BK-3262 BK-3254	BK-3263 BK-3255
2ND BICUSPID HK	-7°	0°	0°	3.1MM	0.5MM	R L	BK-3193 BK-3181	BK-3194 BK-3182	BK-3230 BK-3222	BK-3231 BK-3223

MANDIBULAR							STANDARD PAD		OFF-SET PAD	
TOOTH	TORQUE	ANGLE	ROTATION	M/D	I/O	R/L	.018	.022	.018	.022
ANTERIOR	0°	0°	0°	2.5MM	0.9MM	U	BK-3083	BK-3084		
CUSPID	-11°	+5°	0°	3.1MM	0.5MM	R L	BK-3099 BK-3087	BK-3100 BK-3088		
CUSPID HK	-11°	+5°	0°	3.1MM	0.5MM	R L	BK-3161 BK-3149	BK-3162 BK-3150		
1ST BICUSPID	-12°	0°	0°	3.1MM	0.5MM	R L	BK-3103 BK-3091	BK-3104 BK-3092	BK-3258 BK-3250	BK-3259 BK-3251
1ST BICUSPID HK	-12°	0°	0°	3.1MM	0.5MM	R L	BK-3165 BK-3153	BK-3166 BK-3154	BK-3226 BK-3218	BK-3227 BK-3219
2ND BICUSPID	-17°	0°	0°	3.1MM	0.5MM	R L	BK-3107 BK-3095	BK-3108 BK-3096	BK-3262 BK-3254	BK-3263 BK-3255
2ND BICUSPID HK	-17°	0°	0°	3.1MM	0.5MM	R L	BK-3169 BK-3157	BK-3170 BK-3158	BK-3230 BK-3222	BK-3231 BK-3223

FULL SETS	.018	.022	
UPPER / LOWER 5X5 NO HOOKS	BK-2008K	BK-2009K	
UPPER / LOWER 5X5 HOOK ON 3	BK-2010K	BK-2011K	
UPPER / LOWER 5X5 HOOKS ON 3, 4, 5	BK-2012K	BK-2013K	
UPPER / LOWER 5X5 CUSTOM HOOKS	BK-2014K	BK-2015K	

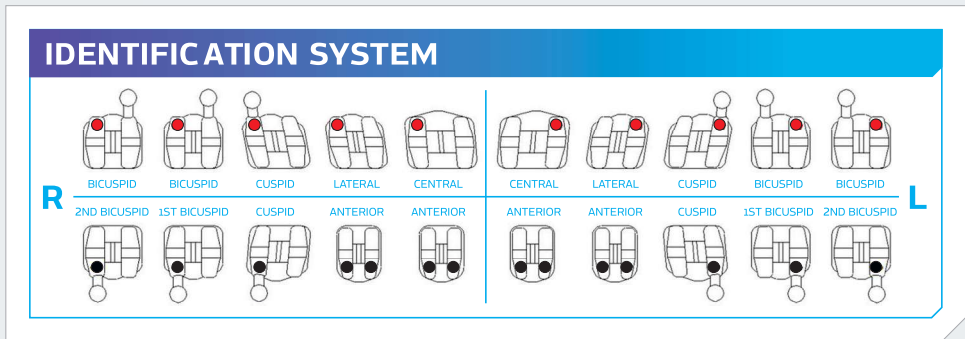
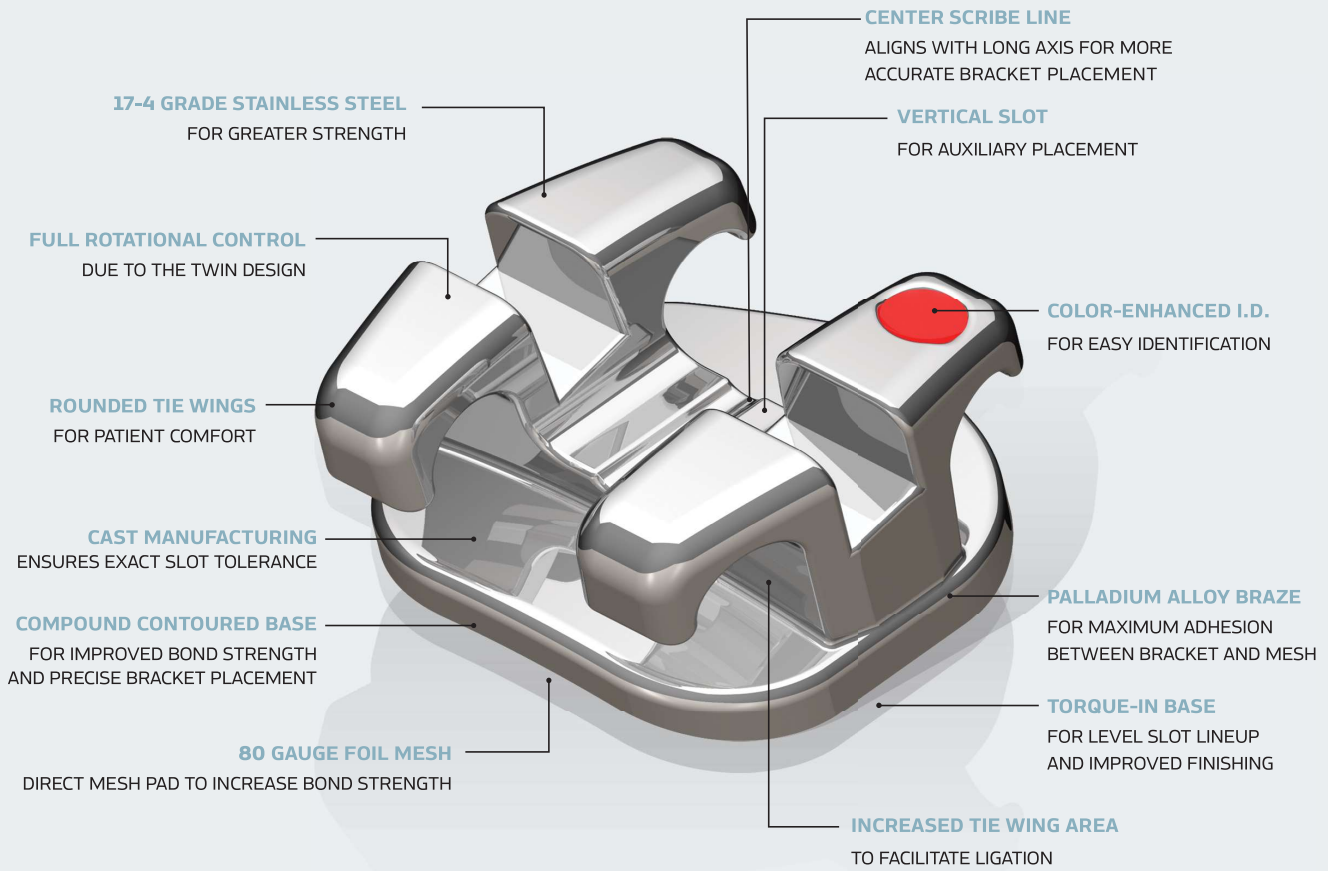
MAXILLARY							REGULAR PAD		OFF-SET PAD	
TOOTH	TORQUE	ANGLE	ROTATION	M/D	I/O	R/L	.018	.022	.018	.022
CENTRAL	+17°	+4°	0°	3.5MM	0.9MM	R L	BK-3129 BK-3109	BK-3130 BK-3110		
LATERAL	+10°	+8°	0°	2.9MM	1.3MM	R L	BK-3133 BK-3113	BK-3134 BK-3114		
CUSPID	-7°	+8°	0°	3.1MM	0.8MM	R L	BK-3137 BK-3117	BK-3138 BK-3118		
CUSPID HK	-7°	+8°	0°	3.1MM	0.8MM	R L	BK-3183 BK-3171	BK-3184 BK-3172		
CUSPID	0°	+8°	0°	3.1MM	0.8MM	R L	BK-3268 BK-3264	BK-3269 BK-3265		
CUSPID HK	0°	+8°	0°	3.1MM	0.8MM	R L	BK-3270 BK-3266	BK-3271 BK-3267		
1ST BICUSPID	-7°	0°	0°	3.1MM	0.8MM	R L	BK-3145 BK-3125	BK-3146 BK-3126	BK-3256 BK-3248	BK-3257 BK-3249
1ST BICUSPID HK	-7°	0°	0°	3.1MM	0.8MM	R L	BK-3191 BK-3179	BK-3192 BK-3180	BK-3224 BK-3216	BK-3225 BK-3217
2ND BICUSPID	-7°	0°	0°	3.1MM	0.8MM	R L	BK-3145 BK-3125	BK-3146 BK-3126	BK-3260 BK-3252	BK-3261 BK-3253
2ND BICUSPID HK	-7°	0°	0°	3.1MM	0.8MM	R L	BK-3191 BK-3179	BK-3192 BK-3180	BK-3228 BK-3220	BK-3229 BK-3221

MANDIBULAR							STANDARD PAD		OFF-SET PAD	
TOOTH	TORQUE	ANGLE	ROTATION	M/D	I/O	R/L	.018	.022	.018	.022
ANTERIOR	-6°	0°	0°	2.5MM	1.3MM	U	BK-3081	BK-3082		
CUSPID	-6°	+3°	0°	3.1MM	0.8MM	R L	BK-3097 BK-3085	BK-3098 BK-3086		
CUSPID HK	-6°	+3°	0°	3.1MM	0.8MM	R L	BK-3159 BK-3147	BK-3160 BK-3148		
CUSPID	0°	+3°	0°	3.1MM	0.8MM	R L	BK-3276 BK-3272	BK-3277 BK-3273		
CUSPID HK	0°	+3°	0°	3.1MM	0.8MM	R L	BK-3278 BK-3274	BK-3279 BK-3275		
1ST BICUSPID	-17°	0°	0°	3.1MM	0.8MM	R L	BK-3101 BK-3089	BK-3102 BK-3090	BK-3240 BK-3232	BK-3241 BK-3233
1ST BICUSPID HK	-17°	0°	0°	3.1MM	0.8MM	R L	BK-3163 BK-3151	BK-3164 BK-3152	BK-3208 BK-3200	BK-3209 BK-3201
2ND BICUSPID	-22°	0°	0°	3.1MM	0.8MM	R L	BK-3105 BK-3093	BK-3106 BK-3094	BK-3256 BK-3248	BK-3257 BK-3249
2ND BICUSPID HK	-22°	0°	0°	3.1MM	0.8MM	R L	BK-3167 BK-3155	BK-3168 BK-3156	BK-3224 BK-3216	BK-3225 BK-3217

FULL SETS		.018	.022
UPPER / LOWER 5X5 NO HOOKS	BK-2000K	BK-2001K	
UPPER / LOWER 5X5 HOOK ON 3	BK-2002K	BK-2003K	
UPPER / LOWER 5X5 HOOKS ON 3, 4, 5	BK-2004K	BK-2005K	
UPPER / LOWER 5X5 CUSTOM HOOKS	BK-2006K	BK-2007K	

QUANTUM V-SLOT BRACKET SYSTEM

BY WHITE OAK ORTHODONTIC PRODUCTS, LLC



QUANTUM V-SLOT BRACKET SYSTEM

BY WHITE OAK ORTHODONTIC PRODUCTS, LLC

SPECIAL OPTIONS FOR BICUSPID BRACKETS

IN ADDITION TO OUR STANDARD CONFIGURATION, ALL OF THE LUX V-SLOT™ BICUSPID BRACKETS ARE AVAILABLE IN THE FOLLOWING CONFIGURATIONS DESIGNED TO MEET YOUR CLINICAL NEEDS.

GINGIVALLY OFFSET BICUSPID BRACKETS



DESIGNED FOR PARTIALLY ERUPTED BICUSPIDS TO HELP AVOID SOFT TISSUE IMPINGEMENT AND EXPEDITE FULL ERUPTION.

EXTENDED BONDING PAD



AVAILABLE WITH AN EXTENDED BASE TO DRAMATICALLY INCREASE BOND STRENGTH



MAXILLARY

						STANDARD PAD		OFFSET BICUSPID PAD		EXTENDED BICUSPID PAD	
TOOTH	TORQUE	ANGLE	M/D	I/O	R/L	.018	.022	.018	.022	.018	.022
CENTRAL	+12°	+5°	3.9MM	1.22MM	R L	BK-1053 BK-1043	BK-1054 BK-1044				
LATERAL	+8°	+9°	3.0MM	1.55MM	R L	BK-1055 BK-1045	BK-1056 BK-1046				
LATERAL HK	+8°	+9°	3.0MM	1.55MM	R L	BK-1021 BK-1013	BK-1022 BK-1014				
CUSPID	0°	+11°	3.5MM	1.04MM	R L	BK-1057 BK-1047	BK-1058 BK-1048				
CUSPID HK	0°	+11°	3.5MM	1.04MM	R L	BK-1023 BK-1015	BK-1024 BK-1016				
1ST + 2ND BICUSPID	-7°	0°	3.3MM	1.07MM	U	BK-1049	BK-1050	BK-1089	BK-1090	BK-1087	BK-1088
1ST + 2ND BICUSPID HK	-7°	0°	3.3MM	1.07MM	R L	BK-1027 BK-1019	BK-1028 BK-1018	BK-1097 BK-1093	BK-1098 BK-1094	BK-1095 BK-1091	BK-1096 BK-1092

MANDIBULAR

						STANDARD PAD		OFFSET BICUSPID PAD		EXTENDED BICUSPID PAD	
TOOTH	TORQUE	ANGLE	M/D	I/O	R/L	.018	.022	.018	.022	.018	.022
ANTERIOR	0°	0°	2.5MM	1.4MM	U	BK-1029	BK-1030				
CUSPID	-11°	+5°	3.5MM	1.0MM	R L	BK-1037 BK-1031	BK-1038 BK-1032				
CUSPID HK	-11°	+5°	3.5MM	1.0MM	R L	BK-1007 BK-1001	BK-1008 BK-1002				
1ST BICUSPID	-17°	0°	3.3MM	0.97MM	U	BK-1033	BK-1034	BK-1065	BK-1066	BK-1063	BK-1064
1ST BICUSPID HK	-17°	0°	3.3MM	0.97MM	R L	BK-1009 BK-1003	BK-1010 BK-1004	BK-1081 BK-1073	BK-1082 BK-1074	BK-1079 BK-1071	BK-1080 BK-1072
2ND BICUSPID	-22°	0°	3.3MM	1.0MM	U	BK-1041	BK-1042	BK-1069	BK-1070	BK-1067	BK-1068
2ND BICUSPID HK	-22°	0°	3.3MM	1.0MM	R L	BK-1011 BK-1005	BK-1012 BK-1006	BK-1085 BK-1077	BK-1086 BK-1078	BK-1083 BK-1075	BK-1084 BK-1076

FULL SETS	.018	.022	.018	.022
UPPER / LOWER 5X5 NO HOOKS	BK-1753K	BK-1754K	BK-1757K	BK-1758K
UPPER / LOWER 5X5 HOOK ON 3	BK-1741K	BK-1742K	BK-1745K	BK-1746K
UPPER / LOWER 5X5 HOOKS ON 4, 5	BK-1747K	BK-1748K	BK-1751K	BK-1752K
UPPER / LOWER 5X5 HOOKS ON 3, 4, 5	BK-1735K	BK-1736K	BK-1739K	BK-1740K
UPPER / LOWER 5X5 CUSTOM HOOKS	BK-1827K	BK-1828K	BK-1829K	BK-1830K

ALSO AVAILABLE IN PRE-PACKAGED SINGLE CASE KITS FOR YOUR CONVENIENCE

* WHITE OAK PRESCRIPTIONS ARE NOT IMPLIED TO BE AN EXACT VERSION OF ANY OTHER SYSTEM, NOR DO WE CLAIM ANY ENDORSEMENT BY THE DOCTOR.

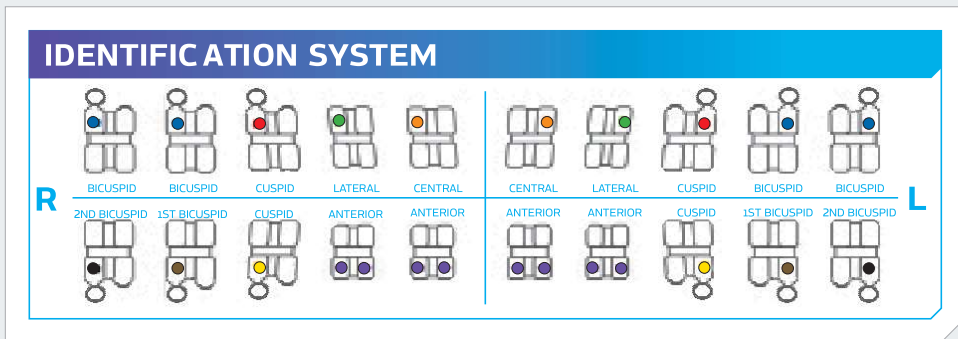
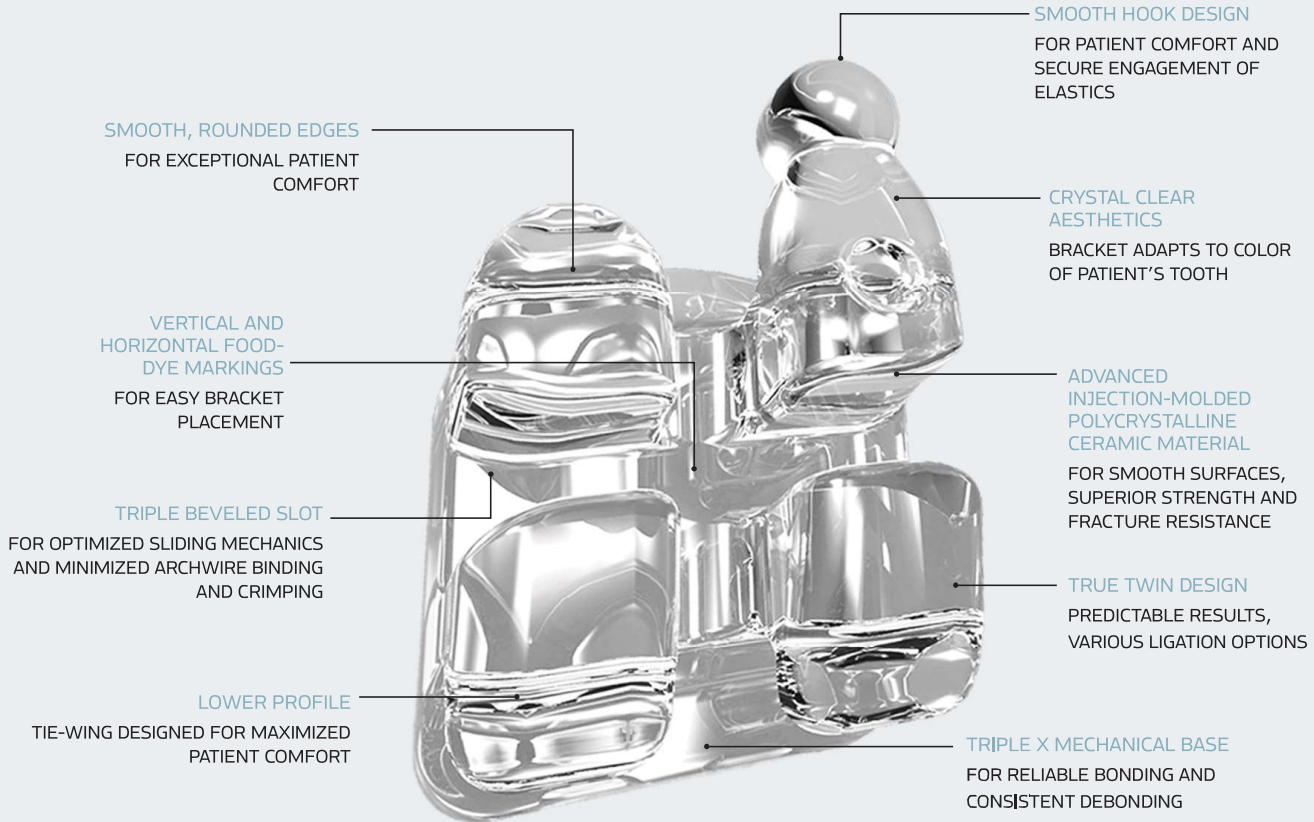


COSMETIC BRACKETS

HALO PLUS

POLYCRYSTALLINE BRACKET SYSTEM

BY WHITE OAK ORTHODONTIC PRODUCTS, LLC



MAXILLARY

TOOTH	TORQUE	ANGLE	ROTATION	M/D	I/O	R/L	.018	.022
CENTRAL	+12°	+5°	0°	3.6MM	1.2MM	R L	AB-1365 AB-1363	AB-1352 AB-1350
LATERAL	+8°	+9°	0°	3.0MM	1.7MM	R L	AB-1366 AB-1364	AB-1353 AB-1351
CUSPID HK	-2°	+13°	0°	3.2MM	1.2MM	R L	AB-1391 AB-1388	AB-1379 AB-1376
1ST + 2ND BICUSPID	-7°	0°	0°	3.2MM	1.2MM	R L	AB-1370 AB-1368	AB-1357 AB-1355
1ST + 2ND BICUSPID HK	-7°	0°	0°	3.2MM	1.2MM	R L	AB-1392 AB-1389	AB-1380 AB-1377

MANDIBULAR

TOOTH	TORQUE	ANGLE	ROTATION	M/D	I/O	R/L	.018	.022
ANTERIOR	-1°	0°	0°	2.6MM	1.7MM	R	AB-1367	AB-1354
CUSPID HK	-11°	+7°	0°	3.2MM	1.2MM	R L	AB-1397 AB-1394	AB-1385 AB-1382
1ST BICUSPID	-17°	0°	0°	3.2MM	1.2MM	R L	AB-1374 AB-1372	AB-1361 AB-1359
1ST BICUSPID HK	-17°	0°	0°	3.2MM	1.2MM	R L	AB-1398 AB-1395	AB-1386 AB-1383
2ND BICUSPID	-22°	0°	0°	3.2MM	1.2MM	R L	AB-1375 AB-1373	AB-1362 AB-1360
2ND BICUSPID HK	-22°	0°	0°	3.2MM	1.2MM	R L	AB-1399 AB-1396	AB-1387 AB-1384

FULL SETS

	.018	.022
UPPER / LOWER 5X5 HOOK ON 3	AB-1021K	AB-1022K
UPPER / LOWER 5X5 HOOKS ON 3, 4, 5	AB-1019K	AB-1020K
UPPER / LOWER 5X5 CUSTOM HOOKS	AB-1255K	AB-1256K

ALSO AVAILABLE IN PRE-PACKAGED SINGLE CASE KITS FOR YOUR CONVENIENCE

* WHITE OAK PRESCRIPTIONS ARE NOT IMPLIED TO BE AN EXACT VERSION OF ANY OTHER SYSTEM, NOR DO WE CLAIM ANY ENDORSEMENT BY THE DOCTOR.

MBT

MAXILLARY

TOOTH	TORQUE	ANGLE	ROTATION	M/D	I/O	R/L	.018	.022
CENTRAL	+17°	+4°	0°	3.8MM	1.2MM	R L	AB-1191 AB-1183	AB-1192 AB-1184
LATERAL	+10°	+8°	0°	3.4MM	1.4MM	R L	AB-1193 AB-1185	AB-1194 AB-1186
CUSPID HK	-7°	+8°	0°	3.4MM	1.1MM	R L	AB-1167 AB-1161	AB-1168 AB-1162
1ST + 2ND BICUSPID	-7°	0°	0°	3.4MM	1.1MM	R L	AB-1195 AB-1187	AB-1196 AB-1188
1ST + 2ND BICUSPID HK	-7°	0°	0°	3.4MM	1.1MM	R L	AB-1169 AB-1163	AB-1170 AB-1164

MANDIBULAR

TOOTH	TORQUE	ANGLE	ROTATION	M/D	I/O	R/L	.018	.022
ANTERIOR	-6°	0°	0°	3.0MM	1.3MM	U	AB-1173	AB-1174
CUSPID HK	-6°	+3°	0°	3.4MM	1.1MM	R L	AB-1155 AB-1149	AB-1156 AB-1150
1ST BICUSPID	-12°	0°	0°	3.4MM	1.1MM	R L	AB-1179 BK-1175	AB-1180 AB-1176
1ST BICUSPID HK	-12°	0°	0°	3.4MM	1.1MM	R L	AB-1157 AB-1151	AB-1158 AB-1152
2ND BICUSPID	-17°	0°	0°	3.4MM	1.1MM	R L	AB-1181 AB-1177	AB-1182 AB-1178
2ND BICUSPID HK	-17°	0°	0°	3.4MM	1.1MM	R L	AB-1159 AB-1153	AB-1160 AB-1154

FULL SETS

	.018	.022
UPPER / LOWER 5X5 HOOK ON 3	AB-1017K	AB-1018K
UPPER / LOWER 5X5 HOOKS ON 3, 4, 5	AB-1015K	AB-1016K
UPPER / LOWER 5X5 CUSTOM HOOKS	AB-1253K	AB-1254K

ALSO AVAILABLE IN PRE-PACKAGED SINGLE CASE KITS FOR YOUR CONVENIENCE

* WHITE OAK PRESCRIPTIONS ARE NOT IMPLIED TO BE AN EXACT VERSION OF ANY OTHER SYSTEM, NOR DO WE CLAIM ANY ENDORSEMENT BY THE DOCTOR.

CERAMIC BRACKET REMOVER

DESIGNED SPECIFICALLY FOR WHITE OAK'S HALO PLUS BRACKET

HALO PLUS BRACKET REMOVING TOOL

THIS STRONG AND DURABLE TOOL IS DESIGNED SPECIFICALLY TO SAFELY AND EFFICIENTLY DEBOND WHITE OAK'S HALO PLUS CERAMIC BRACKET SYSTEM.

4 DIFFERENT SIZED APPENDAGES FOR PRECISE FIT

CERAMIC BRACKET REMOVING TOOL IN-1195

FORM-FITTING TIPS CONTOUR AROUND THE BRACKET AND THE ARCHWIRE TO ALLOW AN EFFORTLESS TWIST TO DEBOND THE HALO PLUS BRACKET. CERAMIC BRACKETS HAVE A TENDENCY TO BREAK DURING DEBONDING, THE HALO PLUS BRACKET IN UNISON WITH THE CERAMIC BRACKET REMOVING TOOL ENSURES A MUCH CLEANER DEBONDING PROCESS.



**HASSLE-FREE
DEBONDING**

